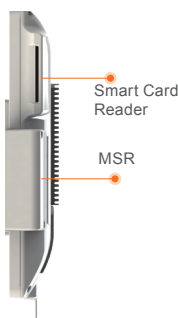
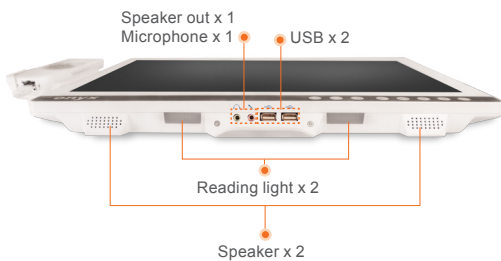
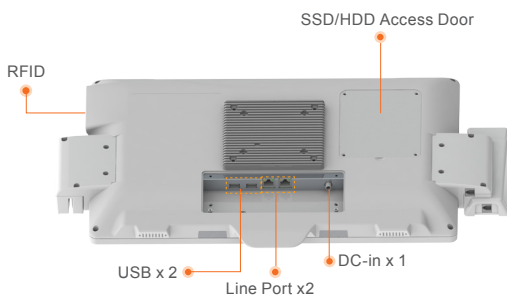
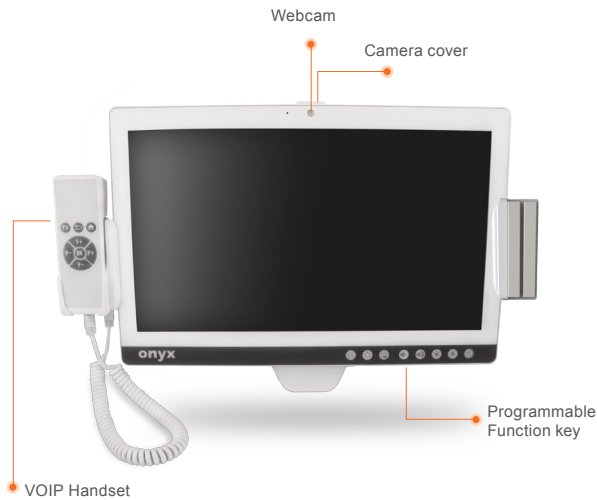


ONYX-BE182

18.5" Fanless Bedside Infotainment Touch Terminal



Features

- Intel® J1900 2.42GHz Quad Core Processor
- 18.5" Wide Color TFT LCD Touch Terminal
- PCT for supporting Multi-Touch
- Wire Remote-Control w/ Handset Function
- VOIP Phone, Webcam, High Quality Speaker, MSR, Smart Card Reader
- Reading Light
- Extension Feature: RFID, Barcode Scanner
- IP65 Water Proof in front
- EN 60601-1, UL 60601-1

Specifications

Main Specifications

Processor	Intel® Celeron J1900 Quad Core 2.42GHz
System Memory	Supports DDR3 SODIMM up to 8GB
Expansion Interface	Mini Card x 2
Storage Disk Drive	2.5" SATA Hard Disk Drive/SSD x 1
Security	Trusted Platform Module, Smart Card Reader (optional), MSR (optional), RFID (optional)
Wireless communication	802.11b/g/n(optional), Bluetooth 4.0 (optional)
Speaker	3W x 2
Camera	2 Megapixels
Function Key	Speaker Volume Up/Down, LCD Brightness Up/Down
Power Requirement	DC 12~24V
OS Support	Windows 7, Windows 8.1, Windows 10, Linux

Display

Size	18.5" (16:9) Color TFT LCD
Resolution	1366 x 768 HD / 1920 x 1080 FHD (optional)
Max. Colors	16.7M
Luminance	250 nits / 350 nits
View Angle	170(H)/160(U)
Contrast Ratio	1000:1
MTBF	30,000 Hours / 50,000 Hours
Touch Screen	Projected Capacitive Touch / 5-Wire Resistive Touch

I/O

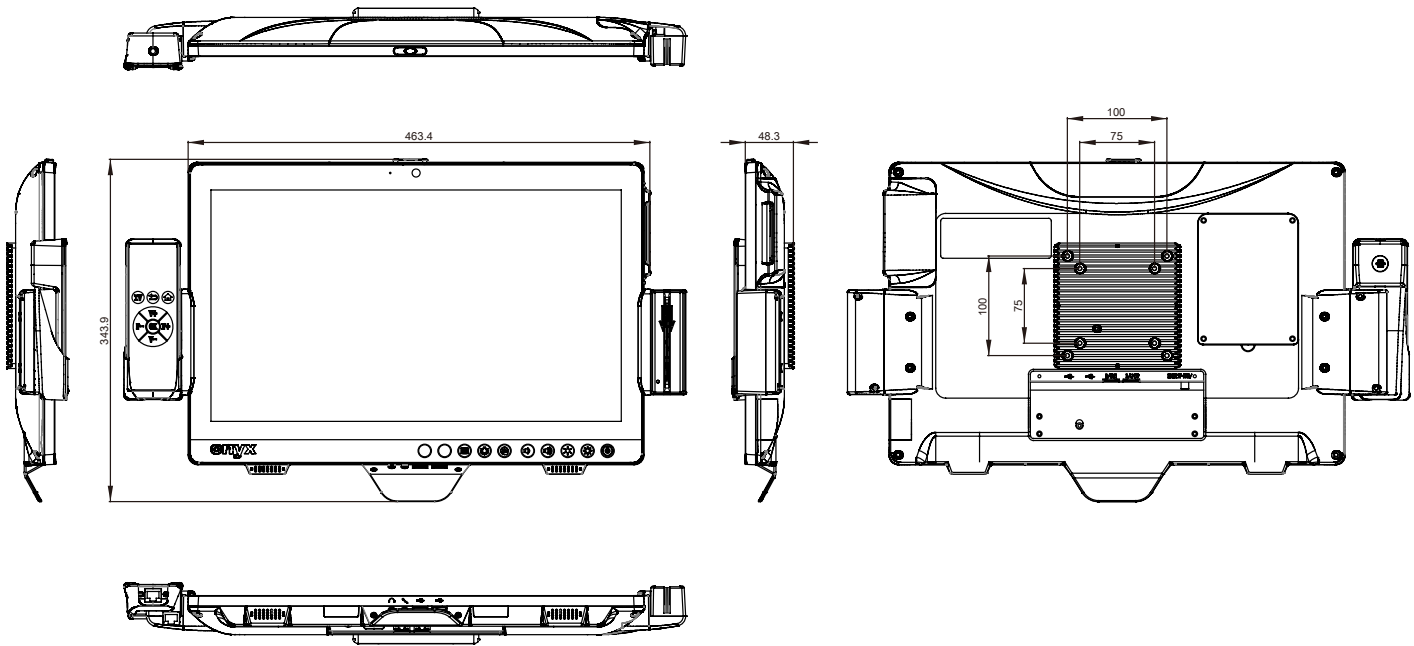
USB	USB2.0 x 4
Serial Port	Isolated RS-232 x 1 (optional)
Ethernet	Isolated Gigabit LAN x 2
Audio	Mic-in, Line-out

Mechanical and Environmental

Infection Control	Anti-Bacteria (optional)
Power Requirement	DC 12V ~24V
Operating Temperature	0°C ~ 40°C(32°F ~ 104°F)
Storage Temperature	-20°C ~ 60°C(-4°F ~ 140°F)
Mounting	VESA 75/100 mm
Degree of protection	Front Panel: IP65; Whole Unit: IPX1
Net Weight	4.2 kg
Package Dimension (W x D x H)	721 x 224 x 464 mm
Certifications	CE: EN 60601-1-2:2015(V4.0), EN 60601-1:2006/A1:2013(V3.1) FCC: Part 18 Class B UL: ANSI/AAMI ES60601-1:2012 (V3.1) cUL: CAN/CSA-C22.2 No. 60601-1:2014 (V3.1)

18.5" Fanless Bedside Infotainment Touch Terminal

Dimension / Unit: mm



Ordering Information

- » **ONYX-BE182DT-A1-1010**
18.5" Infotainment Terminal. Intel Quad-Core J1900. 2G RAM. Fanless. Resistive Touch. Reading Light. Webcam. Smart Card Reader
- » **ONYX-BE182DT-A2-1010**
18.5" Infotainment Terminal. Intel Quad-Core J1900. 2G RAM. Fanless. PCT Touch. Reading Light. Webcam. Smart Card Reader
- » **ONYX-BE182DT-F1-1010**
18.5" Infotainment Terminal. Intel Quad-Core J1900. 2G RAM. Fanless. Resistive Touch. Reading Light. Webcam. Smart Card Reader. RFID
- » **ONYX-BE182DT-F2-1010**
18.5" Infotainment Terminal. Intel Quad-Core J1900. 2G RAM. Fanless. PCT Touch. Reading Light. Webcam. Smart Card Reader. RFID

Optional Accessories

- » **1255300657**
Medical Power Adapter, 60W, 24V
- » **OPM-H04A**
ARM, Wall Mount, VESA 75/100, 1~7kg
- » **OPM-T018-A1**
Handset w/o Dual Kaypads, CAM & Nurse Call
- » **OPM-T018-A2**
Handset with Dual Kaypads, CAM. w/o Nurse Call
- » **OPM-C06W-A5**
WLAN kit. 802.11 a/b/g/n + Bluetooth 4.0LE/ 3.0HS/ 2.1EDR for BE182
- » **OPM-S02C-A1**
MSR for BE381
- » **OPM-H13A-A1**
Bedside Wall Mount Long Arm, 1~6kg, VESA 75/100
- » **OPM-H15A-A1**
Easi Ceiling Mount Swivel Arm, 1~6kg, VESA 75/100